



Backer Rod Mfg. Inc.

www.backerrod.com
Customer Service (800) 595 2950

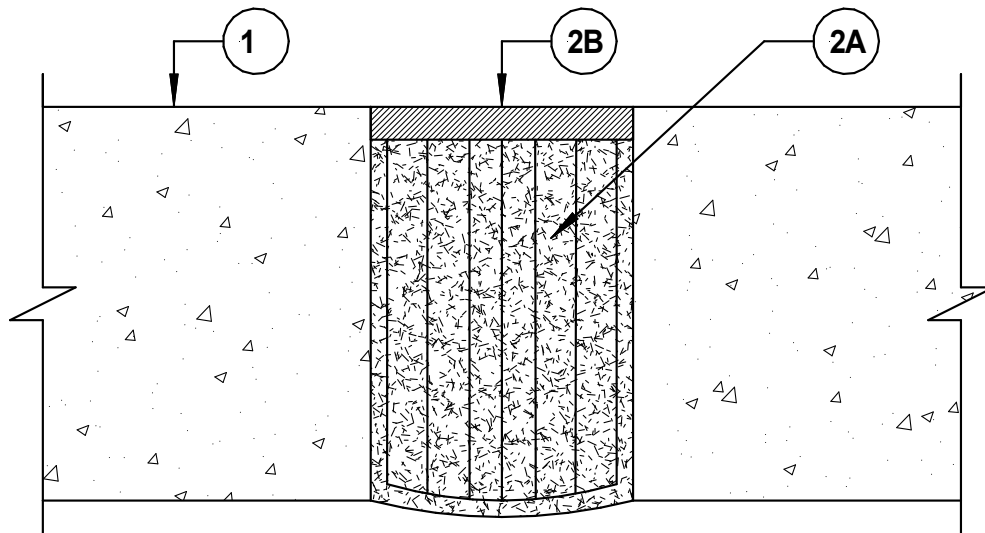


UL System No. FF-S-1036

March 05, 2008

Assembly Rating – 4 Hr

Joint Width – 4 In. Maximum



1. **Floor Assembly** – Min 6 in. (152 mm) thick reinforced lightweight or normal weight (100 – 150 pcf or 1600-2400 kg/m³) structural concrete.
2. **Joint System** – Max width of the joint is 4 in. (102 mm) The joint system shall consist of the following:
 - A. **Forming Material*** - A nom 16 in. (406 mm) width of forming material shall be folded in half and firmly packed into opening as a permanent form. Forming material to be recessed from top surface of floor as required to accommodate the required thickness of fill material. See manufacturer's installation instructions for size and configuration of forming material.
BACKER ROD MFG. INC. – ULTRA BLOCK®
 - B. **Fill, Void or Cavity Material*** - Min ½ in. (13 mm) thickness of fill material applied within the joint, flush with top surface of floor.
EGS NELSON FIRESTOP – CLK S/L (Self Leveling) Caulk or CLK N/S (Non-Sag) Caulk

* Indicates such products shall bear the UL or cUL Certification Mark for jurisdictions employing the UL or cUL Certification (such as Canada), respectively.