



Backer Rod Mfg. Inc.

www.backerrod.com

Customer Service (800) 595 2950



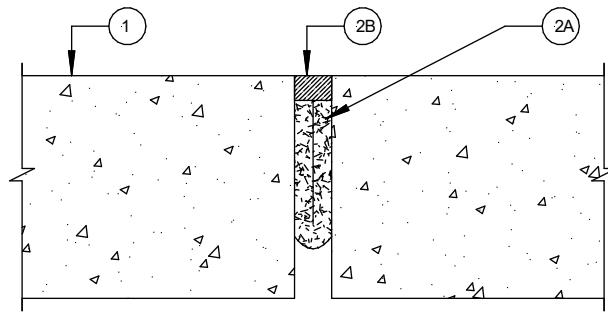
UL System No. WW-S-0031

April 25, 1997

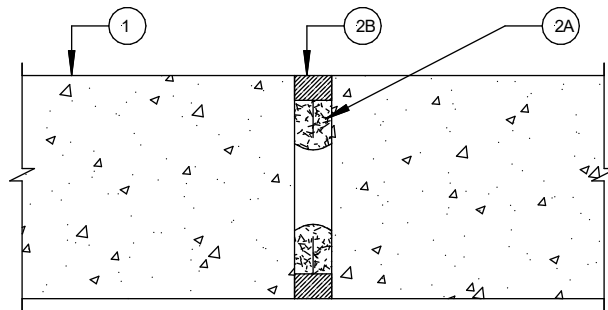
Assembly Rating – 2 Hr

Joint Width – 3/4 In. Maximum

Configuration No. 1



Configuration No. 2



1. **Wall Assembly** – Min 4 1/2 in. thick reinforced lightweight or normal weight (100 – 150 pcf) structural concrete. Wall may also be constructed of any UL Classified **Concrete Blocks***. See **Concrete Blocks** (CATZ) category in the Fire Resistance Directory for names of Manufacturers.
2. **Joint System** – Max width of the joint is 3/4 in. The joint system shall consist of the following:
 - A. **Forming Material*** - For joint openings up to 1/2 in. in width, the forming material shall be a min of 3/8 in. thick. For joint openings up to 3/4 in. in width, the forming materials shall be a min of 1/2 in. thick. In Configuration No. 1, a nom 6 in. width of forming material shall be folded in half and firmly packed into opening as a permanent form. Forming material to be recessed from exterior face of wall as required to accommodate the required thickness of fill material. In Configuration No. 2, a nom 2 in. width of forming material shall be folded in half and firmly packed into opening as a permanent form. Forming material to be recessed from each surface of the wall as required to accommodate the required thickness of fill material.

BACKER ROD MFG. INC. – ULTRA BLOCK®
 - B. **Fill, Void or Cavity Material*** - In Configuration No. 1, min 1/2 in. thickness of fill material applied within the joint, flush with exterior face of wall. In Configuration No. 2, min 1/2 in. thickness of fill material applied within the joint, flush with each surface of wall.

C R LAURENCE CO INC – CRL M64

* Indicates such products shall bear the UL or cUL Certification Mark for jurisdictions employing the UL or cUL Certification (such as Canada), respectively.