



Backer Rod Mfg. Inc.

www.backerrod.com
Customer Service (800) 595 2950

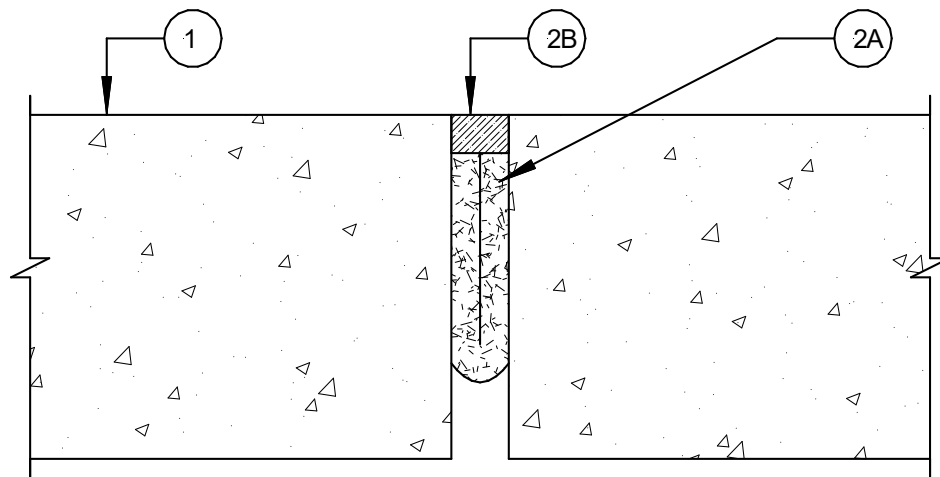


UL System No. FF-S-0013

November 18, 2008

Assembly Rating – 2 Hr

Joint Width – 3/4 In. Maximum



1. **Floor Assembly** – Min 4 1/2 in. (114 mm) thick reinforced lightweight or normal weight (100 – 150 pcf or 1600-2400 kg/m³) structural concrete.
2. **Joint System** – Max width of the joint is 3/4 in. (19 mm). The joint system shall consist of the following:
 - A. **Forming Material*** - A nom 6 in. (152 mm) width of forming material shall be folded in half and firmly packed into joint opening as a permanent form. The thickness of the forming material is dependant upon the width of the joint. For joint openings up to 1/2 in. (13 mm) in width, the forming material shall be a min of 3/8 in. (10 mm) thick. For joint openings up to 3/4 in. (19 mm) in width, the forming materials shall be a min of 1/2 in. (13 mm) thick. Forming material to be recessed from top surface of floor to accommodate the required thickness of fill material.

BACKER ROD MFG. INC. – ULTRA BLOCK®
 - B. **Fill, Void or Cavity Material*** - Min 1/2 in. (13 mm) thickness of fill material applied within the joint, flush with top surface of floor.

MOMENTIVE PERFORMANCE MATERIALS – PENSIL 100, PENSIL 300 or PENSIL 300 S/L SEALANTS

SPECIFIED TECHNOLOGIES INC – PENSIL 300, PENSIL 300 S/L, SPECSEAL SERIES SIL300 or SPECSEAL SERIES SIL300SL SEALANTS

* Indicates such products shall bear the UL or cUL Certification Mark for jurisdictions employing the UL or cUL Certification (such as Canada), respectively.