



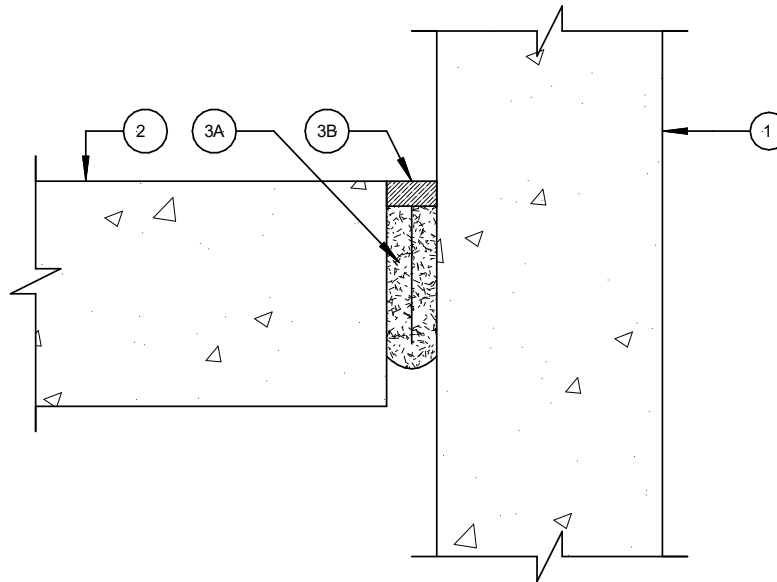
Backer Rod Mfg. Inc.

www.backerrod.com

Customer Service (800) 595 2950



UL System No. FW-S-0016
September 23, 2005
Assembly Rating – 2 Hr
Joint Width – 3/4 In. (19 mm) Maximum



1. **Wall Assembly** – Min 4 1/2 in. (114 mm) thick reinforced lightweight or normal weight (100 – 150 pcf or 1600-2400 kg/m³) structural concrete. Wall may also be constructed of ant UL Classified **Concrete Blocks***.

See **Concrete Blocks** (CATZ) category in the Fire Resistance Directory for names of manufacturers

2. **Floor Assembly** – Min 4 1/2 in. (114 mm) thick steel-reinforced lightweight or normal weight (100 – 150 pcf or 1600-2400 kg/m³) structural concrete.

3. **Joint System** – Max separation between edge of floor and face of wall is 3/4 in. (19 mm). The joint system shall consist of the following:

- A. **Forming Material*** - Min 6 in. (152 mm) width of forming material shall be folded in half, compressed min 25 percent in thickness and firmly packed into joint opening as a permanent form. Forming material to be recessed from top surface of floor to accommodate the required thickness of fill material.

BACKER ROD MFG. INC. – ULTRA BLOCK®

- B. **Fill, Void or Cavity Material*** - Min 1/2 in. (13 mm) thickness of fill material applied within the joint, flush with top surface of floor.

DOW CORNING CORP – 790 or 795 SEALANT

* Indicates such products shall bear the UL or cUL Certification Mark for jurisdictions employing the UL or cUL Certification (such as Canada), respectively.