



# Backer Rod Mfg. Inc.

[www.backerrod.com](http://www.backerrod.com)

Customer Service (800) 595 2950



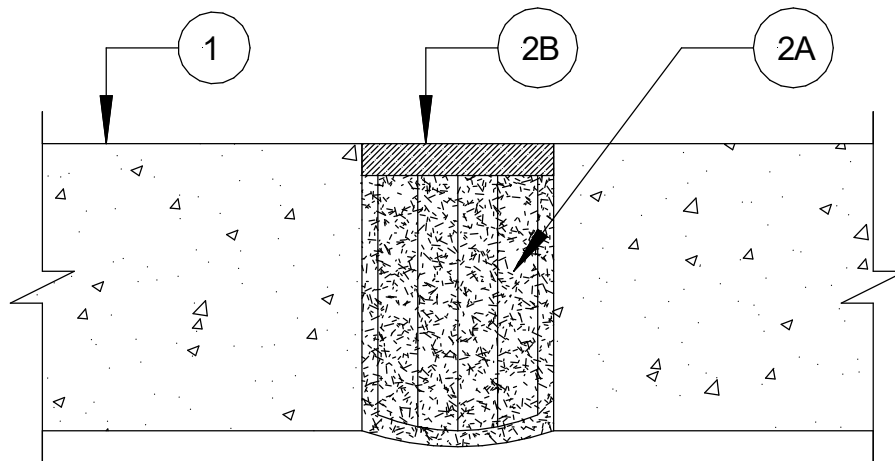
## UL System No. WW-S-1008

July 29, 1995

Assembly Rating – 3 Hr

Joint Width – 3 In. Maximum

(Limited to Fire Exposure on Interior Face Only)



1. **Wall Assembly** – Min 4-1/2 in. thick reinforced lightweight or normal weight (100 – 150 pcf) structural concrete. Wall may also be constructed of any UL Classified **Concrete Blocks\***.

See **Concrete Blocks** (CATZ) category in the Fire Resistance Directory for names of manufacturers.

2. **Joint System** – Max width of the joint is 3 in. The joint system shall consist of the following:

- A. **Forming Material\*** - A nom 11 in. width of forming material shall be folded in half and firmly packed into opening as a permanent form. Forming material to be recessed from exterior face of wall as required to accommodate the required thickness of fill material. See manufacturer's installation instructions for size and configuration of forming material.

**BACKER ROD MFG. INC. – ULTRA BLOCK®**

- B. **Fill, Void or Cavity Material\*** - Prior to the installation of the caulk material into the joint, the interior surfaces of the exterior side of the wall shall be treated with Pecora Primer P-75 in accordance with the installation instructions accompanying the primer. Min 1/2 in. thickness of fill material applied within the joint, flush with exterior face of wall.

**PECORA CORP – DYNATROL II**

\* Indicates such products shall bear the UL or cUL Certification Mark for jurisdictions employing the UL or cUL Certification (such as Canada), respectively.