



# Backer Rod Mfg. Inc.

[www.backerrod.com](http://www.backerrod.com)

Customer Service (800) 595 2950



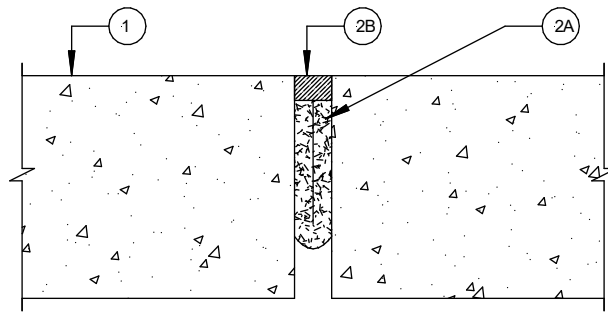
## UL System No. FF-S-0006

August 29, 1995

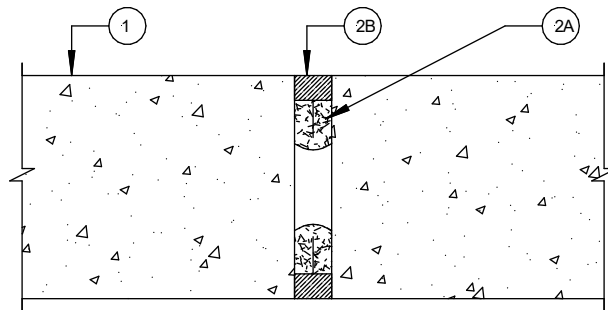
Assembly Rating – 2 Hr

Joint Width – 3/4 In. Maximum

### Configuration No. 1



### Configuration No. 2



1. **Floor Assembly** – Min 4 1/2 in. thick reinforced lightweight or normal weight (100 – 150 pcf) structural concrete.
2. **Joint System** – Max width of the joint is 3/4 in. The joint system shall consist of the following:
  - A. **Forming Material\*** - For joint openings up to 1/2 in. in width, the forming material shall be a min of 3/8 in. thick. For joint openings up to 3/4 in. in width, the forming materials shall be a min of 1/2 in. thick. In Configuration No. 1, a nom 6 in. width of forming material shall be folded in half and firmly packed into opening as a permanent form. Forming material to be recessed from top surface of floor as required to accommodate the required thickness of fill material. In Configuration No. 2, a nom 2 in. width of forming material shall be folded in half and firmly packed into opening as a permanent form. Forming material to be recessed from each surface of the floor as required to accommodate the required thickness of fill material.

**BACKER ROD MFG. INC. – ULTRA BLOCK®**
  - B. **Fill, Void or Cavity Material\*** - In Configuration No. 1, min 1/2 in. thickness of fill material applied within the joint, flush with the top surface of the floor.

**PECORA CORP – DYNATROL II or 864 SILICONE**

**Fill, Void or Cavity Material\*** - In Configuration No. 2, min 1/2 in. thickness of fill material applied within the joint, flush with each surface of the floor.

**PECORA CORP – DYNATROL II or AC-20 FTR**

\* Indicates such products shall bear the UL or cUL Certification Mark for jurisdictions employing the UL or cUL Certification (such as Canada), respectively.