



Backer Rod Mfg. Inc.

www.backerrod.com

Customer Service (800) 595 2950



UL System No. WW-S-0010

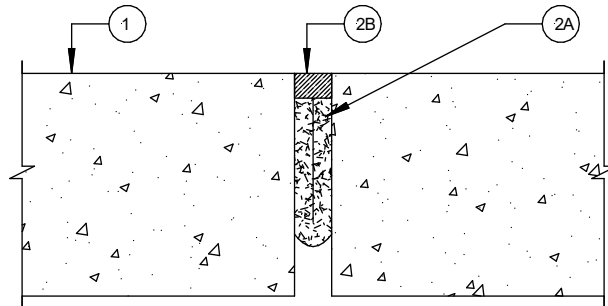
August 29, 1995

Assembly Rating – 2 Hr

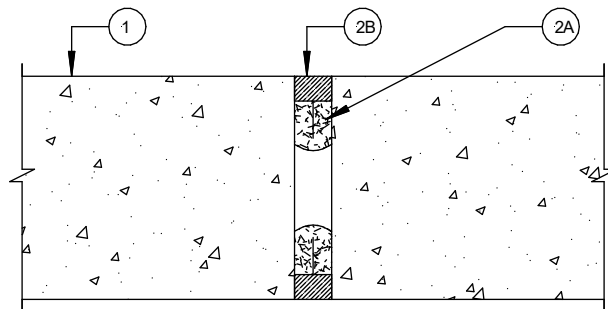
Joint Width – $\frac{3}{4}$ In. Maximum

(Configuration No. 1 Limited to Fire Exposure on Interior Face Only)

Configuration No. 1



Configuration No. 2



1. **Wall Assembly** – Min 4 $\frac{1}{2}$ in. thick reinforced lightweight or normal weight (100 – 150 pcf) structural concrete. Wall may also be constructed of any UL Classified **Concrete Blocks***.
See **Concrete Blocks** (CATZ) category in the Fire Resistance Directory for names of Manufacturers.
2. **Joint System** – Max width of the joint is $\frac{3}{4}$ in. The joint system shall consist of the following:
 - A. **Forming Material*** - For joint openings up to $\frac{1}{2}$ in. in width, the forming material shall be a min of $\frac{3}{8}$ in. thick. For joint openings up to $\frac{3}{4}$ in. in width, the forming materials shall be a min of $\frac{1}{2}$ in. thick. In Configuration No. 1, a nom 6 in. width of forming material shall be folded in half and firmly packed into opening as a permanent form. Forming material to be recessed from exterior face of wall as required to accommodate the required thickness of fill material. In Configuration No. 2, a nom 2 in. width of forming material shall be folded in half and firmly packed into opening as a permanent form. Forming material to be recessed from each surface of the wall as required to accommodate the required thickness of fill material.

BACKER ROD MFG. INC. – ULTRA BLOCK®
 - B. **Fill, Void or Cavity Material*** - In Configuration No. 1, min $\frac{1}{2}$ in. thickness of fill material applied within the joint, flush with exterior face of wall.

PECORA CORP – DYNATROL II or 864 SILICONE
 - B1. **Fill, Void or Cavity Materials*** - In Configuration No. 2, min $\frac{1}{2}$ in. thickness of fill material applied within the joint, flush with each surface of the wall.

PECORA CORP – DYNATROL II or AC-20 FTR

* Indicates such products shall bear the UL or cUL Certification Mark for jurisdictions employing the UL or cUL Certification (such as Canada), respectively.