



# Backer Rod Mfg. Inc.

[www.backerrod.com](http://www.backerrod.com)  
Customer Service (800) 595 2950

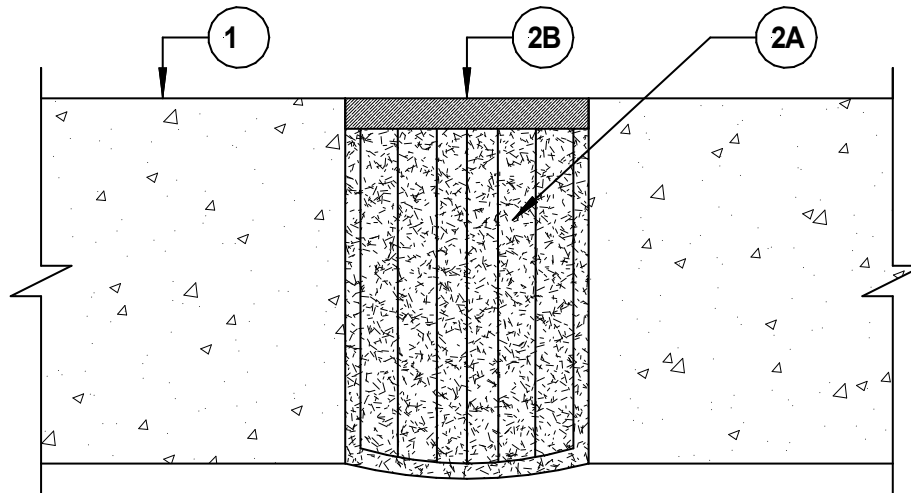


## UL System No. FF-S-1010

August 29, 1995

Assembly Rating – 4 Hr

Joint Width – 4 In. Maximum



1. **Floor Assembly** – Min 6 in. thick reinforced lightweight or normal weight (100 – 150 pcf) structural concrete.
2. **Joint System** – Max width of the joint is 4 in. The joint system shall consist of the following:
  - A. **Forming Material\*** - A nom 16 in. width of forming material shall be folded in half and firmly packed into joint opening as a permanent form. Forming material to be recessed from top surface of the floor to accommodate the required thickness of fill material. See manufacturer's installation instructions for size and configuration of forming material.  
**BACKER ROD MFG. INC. – ULTRA BLOCK®**
  - B. **Fill, Void or Cavity Material\*** - Min 1/2 in. thickness of fill material applied within the joint, flush with top surface of the floor.  
**PECORA CORP – AC-20 FTR**

\* Indicates such products shall bear the UL or cUL Certification Mark for jurisdictions employing the UL or cUL Certification (such as Canada), respectively.