



# Backer Rod Mfg. Inc.

[www.backerrod.com](http://www.backerrod.com)  
Customer Service (800) 595 2950

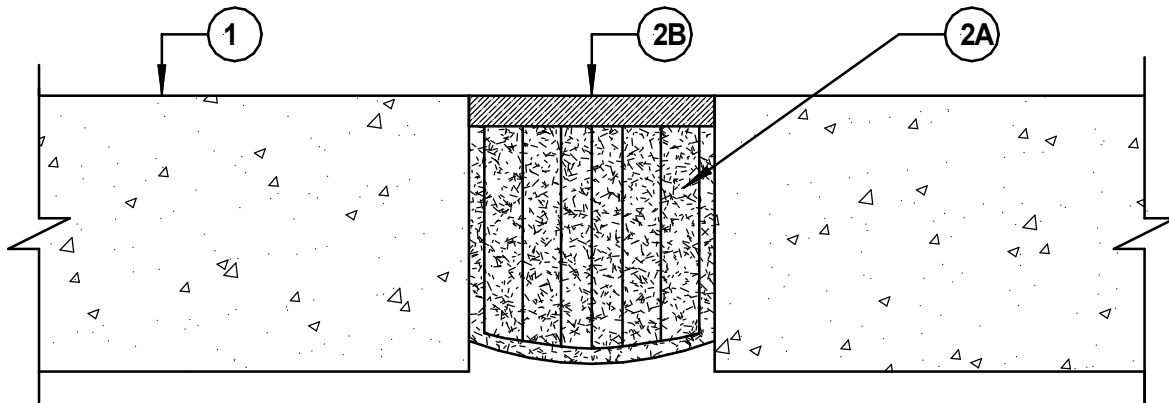


## UL System No. FF-S-1039

February 10, 2014

Assembly Rating – 2 Hr

Joint Width – 4 In. Maximum



1. **Floor Assembly** – Min 4 ½ in. (114 mm) thick reinforced lightweight or normal weight (100 – 150 pcf or 1600-2400 kg/m<sup>3</sup>) structural concrete.
2. **Joint System** – Max width of the joint is 4 in. (102 mm) The joint system shall consist of the following:
  - A. **Forming Material\*** - Min 11 in. (279 mm) width of forming material shall be folded in half, compressed min 40 percent in thickness and friction fitted into opening as a permanent form. Forming material to be recessed from top surface of floor to accommodate the required thickness of fill material.  
**BACKER ROD MFG. INC. – ULTRA BLOCK®**
  - B. **Fill, Void or Cavity Material\*- Sealant** - Min ½ in. (13 mm) thickness of fill material applied within the joint, flush with top surface of floor.  
**RECTORSEAL – FS4000 Sealant, Metacaulk 835+, Biotherm 100**

\* Indicates such products shall bear the UL or cUL Certification Mark for jurisdictions employing the UL or cUL Certification (such as Canada), respectively.