

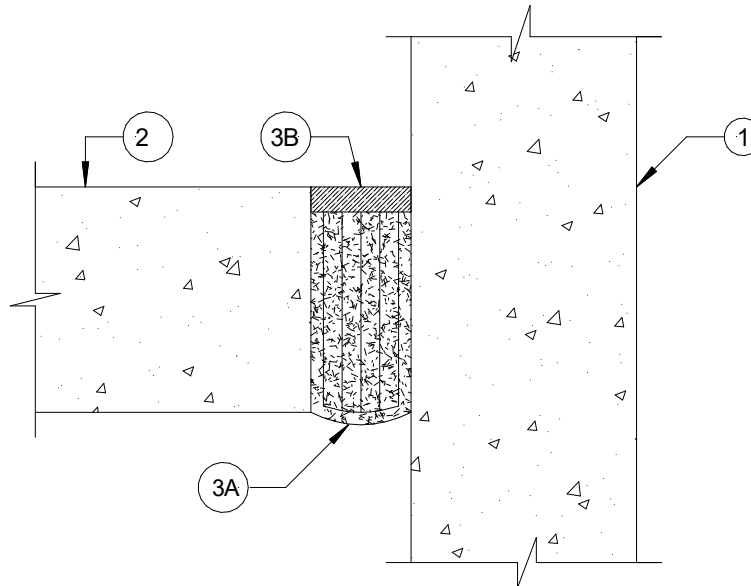


Backer Rod Mfg. Inc.

www.backerrod.com
Customer Service (800) 595 2950



UL System No. FW-S-0013
September 23, 2005
Assembly Rating – 3 Hr
Joint Width – 2 In. (51 mm) Maximum



1. **Wall Assembly** – Min 4 1/2 in. (114 mm) thick reinforced lightweight or normal weight (100 – 150 pcf or 1600-2400 kg/m³) structural concrete. Wall may also be constructed of ant UL Classified **Concrete Blocks***.

See **Concrete Blocks** (CATZ) category in the Fire Resistance Directory for names of manufacturers

2. **Floor Assembly** – Min 4 1/2 in. (114 mm) thick steel-reinforced lightweight or normal weight (100 – 150 pcf or 1600-2400 kg/m³) structural concrete.
3. **Joint System** – Max separation between edge of floor and face of wall is 2 in. (51 mm). The joint system shall consist of the following:

- A. **Forming Material*** - Min 10 in. (254 mm) width of forming material shall be folded in half, compressed min 60 percent in thickness and firmly packed into joint opening as a permanent form. Forming material to be recessed from top surface of floor to accommodate the required thickness of fill material.

BACKER ROD MFG. INC. – ULTRA BLOCK®

- B. **Fill, Void or Cavity Material*** - Prior to the installation of the fill material into the joint, the concrete surfaces shall be treated with 2 component LymTal International, Inc. Primer 10 in accordance with the installation instructions accompanying the primer. Min 3/8 in. (10 mm) thickness of fill material applied within the joint, flush with top surface of floor.

LYMTAL INTERNATIONAL INC – ISO-FLEX 880-GB, ISO-FLEX 881 and ISO-FLEX 830

* Indicates such products shall bear the UL or cUL Certification Mark for jurisdictions employing the UL or cUL Certification (such as Canada), respectively.