



Backer Rod Mfg. Inc.

www.backerrod.com

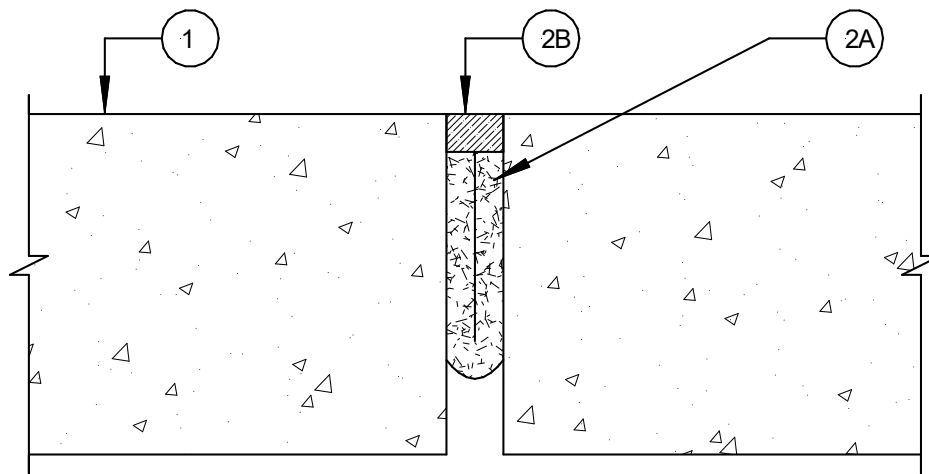
Customer Service (800) 595 2950



UL System No. FF-D-0031

February 17, 2014

ANSI/UL2079 (ASTM E 84)	CAN/ULC S115
Assembly Ratings - 2 Hr	F Ratings - 2 Hr
Nominal Joint Width - 3/4 In.	FT Ratings - 2 Hr
Class II Movement Capabilities - 25% Compression or Extension.	FH Ratings - 2 Hr
	FTH Ratings - 2 Hr
	Nominal Joint Width - 19
	Class II Movement Capabilities - 25% Compression or Extension.



1. **Floor Assembly** – Min 4 ½ in. (114 mm) thick reinforced lightweight or normal weight (100 – 150 pcf) (1600-2400 kg/m³ structural concrete).
2. **Joint System** – Max width of the joint (at time of installation of the joint system) is ¾ in (19mm). The joint system is designed to accommodate a max 25 percent compression or extension from its installed width. The joint system shall consist of the following:
 - A. **Forming Material*** - A nom 6 in (152 mm). width of forming material shall be folded in half and firmly packed into opening as a permanent form. For joint openings up to ½ in. (13 mm) in width, the forming material shall be a min of 3/8 in. (10 mm) thick. For joint openings up to ¾ in. (19 mm) in width, the forming materials shall be a min of 1/2 in. (13 mm) thick. Forming material to be recessed from top surface of floor as required to accommodate the required thickness of fill material.
BACKER ROD MFG. INC. – ULTRA BLOCK®
 - B. **Fill, Void or Cavity Material*** - Min ½ in. (13 mm) thickness of fill material applied within the joint, flush with top surface of the floor.
DOW CORNING CORP – Dow Corning Parking Structure Sealant, Dow Corning 500 Fire Rated Sealant

* Indicates such products shall bear the UL or cUL Certification Mark for jurisdictions employing the UL or cUL Certification (such as Canada), respectively.