



# Backer Rod Mfg. Inc.

[www.backerrod.com](http://www.backerrod.com)

Customer Service (800) 595 2950

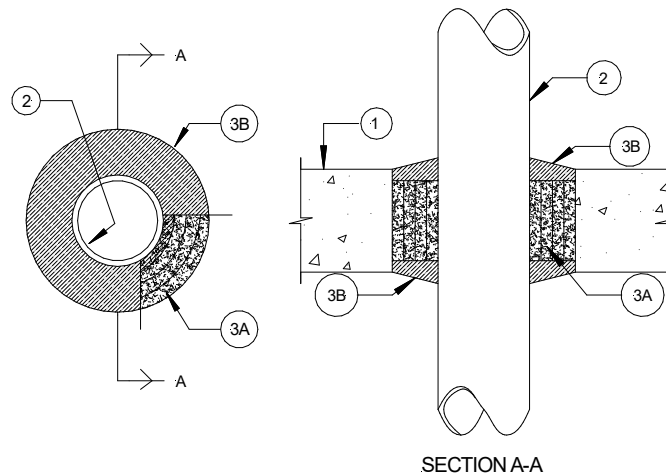


## UL System No. C-AJ-1093

February 04, 1994

**F Rating – 2 Hr**

**T Rating – 0 and 1/4 Hr (See Item 2)**



1. **Floor or Wall Assembly** – Min 4-1/2 in. thick reinforced lightweight or normal weight (100-150 pcf) concrete. Wall may also be constructed of any UL classified Concrete Blocks\*. Max diam of opening is 8 in.

See **Concrete Blocks** (CATZ) category in the Fire Resistance Directory for names of manufacturers.

2. **Through Penetrants** – One metallic pipe, conduit or tubing to be centered within the firestop system. Pipe, conduit or tubing to be rigidly supported on both sides of floor or wall assembly. The annular space between pipe, conduit or tubing and periphery of opening shall be min 7/8 in. to max 3-7/8 in. The “T” rating is dependant upon the type of penetrating item used. The “T” rating is 0 h if copper tubing is used. The “T” rating is 1/4 h if steel pipe, steel conduit or electrical metallic tubing is used. The following types and sizes of metallic pipes, conduit or tubing may be used.
  - A. Steel Pipe – Nom 6 in. diam (or smaller) Schedule 40 (or heavier) steel pipe.
  - B. Conduit – Nom 4 in. diam (or smaller) steel electrical metallic tubing or steel conduit.
  - C. Copper Tubing – Nom 6 in. diam (or smaller) Type L (or heavier) copper tubing.

3. **Firestop System** – The firestop system shall consist of the following:

- A. **Forming Material\* - Blanket Material** – Min 1/2 in. thick, min 3-1/2 in. wide, firmly wrapped around the penetrating item. Forming material to be recessed from both surfaces of floor and from both surfaces of wall as required to accommodate the required thickness of fill material.

**BACKER ROD MFG INC – ULTRA BLOCK®**

- B. **Fill, Void or Cavity Material\* - Caulk** – Min 1/2 in. thickness of fill material applied within the annulus, flush with both surfaces of floor or wall. Additional fill material to be installed such that a min 1/2 in. crown is formed around the penetrating item.

**PECORA CORP – AC-20 FTR**

\* Indicates such products shall bear the UL or cUL Certification Mark for jurisdictions employing the UL or cUL Certification (such as Canada), respectively.